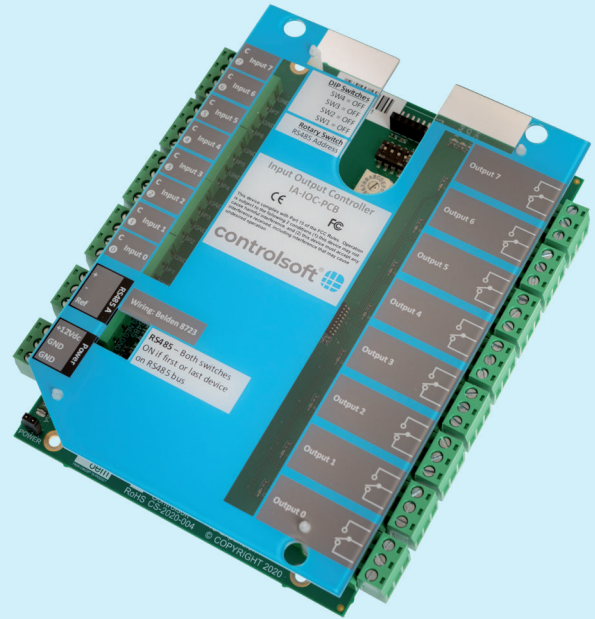


# iNet™ IOC Expansion Board

The IOC I/O Expansion Board from Controlsoft® provides a simple and cost effective method for expanding an iNet™ IDR or 2DR Access Control System.

Each I/O Expansion Board increases the system capacity by eight inputs and eight outputs.



## Features and Benefits

- Flexible System Expansion via RS485 bus
- Eight programmable inputs
- Eight programmable output relays
- Ideal for Elevator Control
- 3 Year manufacturer warranty

## Technical / Electrical

RS485	Yes
No of RS485 Ports	1
RS485 Port Protocol	iNet
RS485 Cable Type	Belden 8723

### Electrical

Operating Voltage	12VDC +/-20%
Current Consumption	20mA @ 12VDC
Relay Rating	3A @ 12VDC

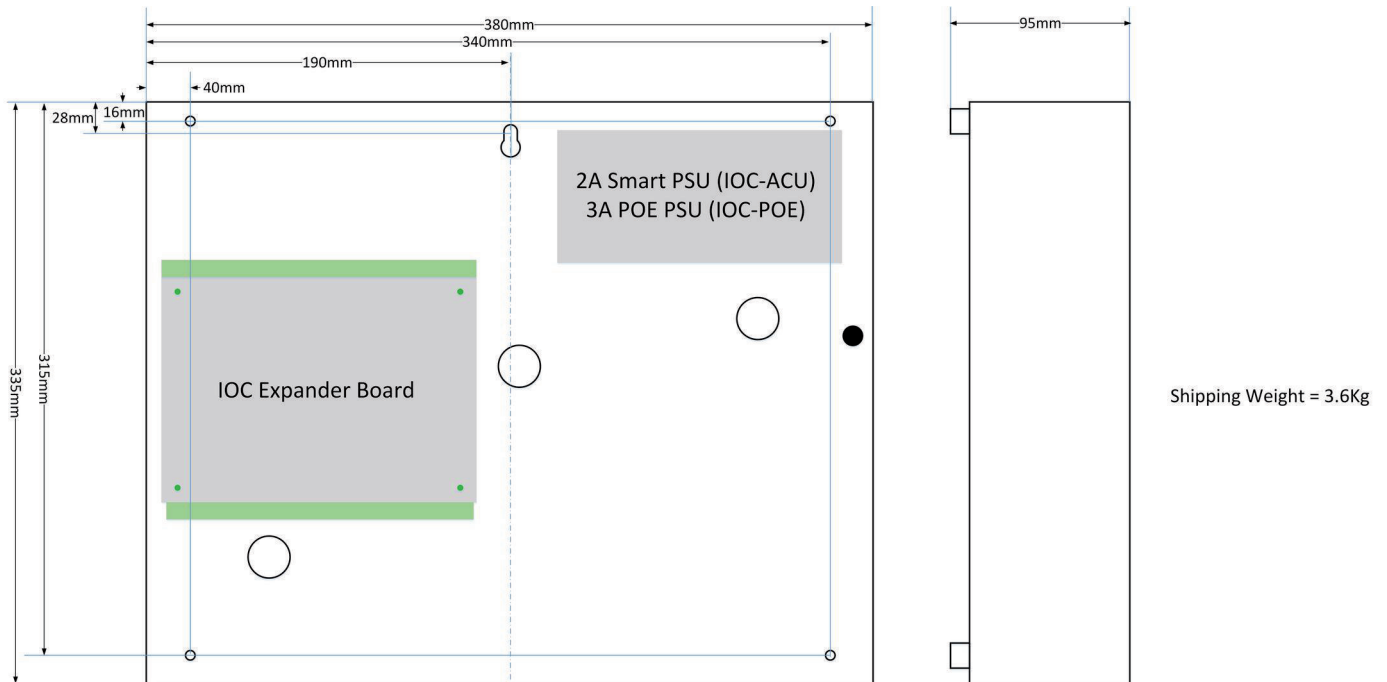
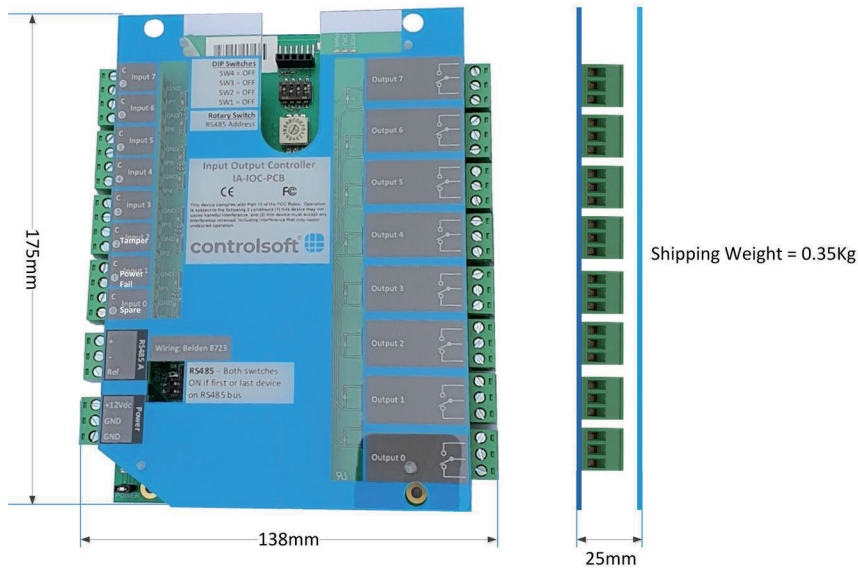
### Interfaces

No of Programmable Inputs	8
No of Relay Outputs	8

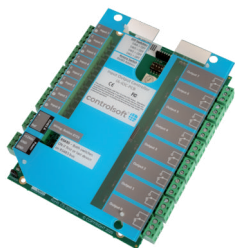
### Environmental

Operating Temperature	0°C - 55°C
Operating Humidity	5% to 95%
Moisture Resistance	None
Vandal Resistance	Low

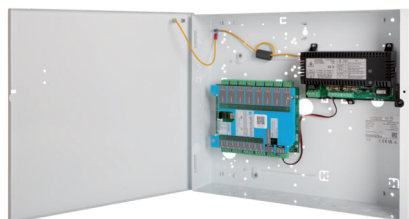
## Product Dimensions



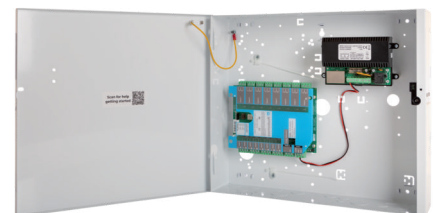
## Part Codes



**IOC-PCB**  
Expander PCB Only



**IOC-ACU**  
Expander in metal box with 12v 2A monitored PSU, box tamper and LED power indications



**IOC-POE**  
Expander in metal box with 3A PoE++ PSU, box tamper and LED power indications