

# i-Net™ Controller

Part Code: US-IA-PCB



The i-Net Intelligent Door Controller supports either standard Wiegand or OSDP readers. The controller is configured with Controlsoft's Identity Access software.

US-IA-PCB is the controller only and four self-adhesive supports for ease of installation.

## Features and Benefits

- 50,000 card holders per controller
- 100,000 event logs
- 9 programmable inputs
- 4 programmable output relays
- Controls 1 door (IN & OUT) or 2 doors (IN & REX) using the 2 onboard Wiegand reader Interface ports
- Controls up to 4 doors (IN & OUT) using OSDP
- Offline controller with fully distributed intelligence
- 3 Year manufacturer warranty
- Reliable and robust operation

## Technical

- Support for Wiegand or OSDP Readers
- Downloadable firmware
- Pulse or Toggle Door Control
- Ethernet or RS485 (100 feet) connection
- Four Form-C 2A @ 30VDC relay outputs
- Up to 10 Facility codes
- Input monitoring for REX, Door Contact, Fire, Door Override, Power Fail, Battery Fault and Tamper
- DIP switch selectable addressing
- Box Dimensions: 18"(H) x 15"(W) x 4"(D)
- Boxed weight: 14lb
- Operating temperature: 32 °F to 131 °F
- Humidity: 5% to 95% RHNC
- Approvals: FCC Part 15, CE, RoHS, UL 294

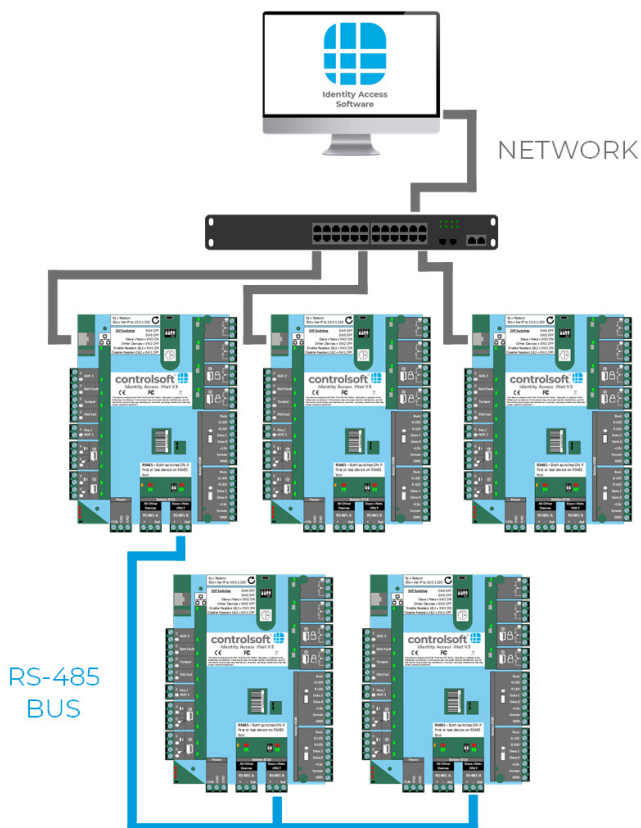
## Product Information

The i-Net access control system architecture allows Ethernet (IP) connectivity directly from a door location to the Identity Access software. Up to 15 slave i-Nets can be multidropped downstream via RS485 while still providing the security, functionality and modularity of Controlsoft's proven hardware platform. The i-Net is scalable for any access control application, from the most basic to the most sophisticated.

The i-Net includes four Form-C relay outputs (voltage free changeover contacts) and nine inputs that support normally open and normally closed circuits.

The US-IA-PCB also comes with a spares bag which contains the following items:

- 4 x Metal Oxide Varistor (MOV) which must be fitted to any lock with a coil
- 4 x Self-adhesive PCB supports



Part Number: US-IA-PCB