

# i-Net™ PLUS Control panel ONLY

Part Code: IA-PCB

The networked i-Net PLUS Intelligent Door Controller supports up to two doors and two readers. The controller is configured with Controlsoft's Identity Access software.

IA-PCB is an excellent choice if you want to retain existing power supplies or cabinets.

## Features and Benefits

- 50,000 card holders per controller
- 100,000 event logs
- 9 programmable inputs
- 4 programmable output relays
- 2 reader Interface ports
- Doors can be Automatically Released in the Event of Fire
- Programmable lock timers for compliance with DDA
- 3 Year manufacturer warranty
- Reliable and robust operation

## Technical

- Support for Wiegand, RS-485 and OSDP Readers
- Pulse or Toggle Door Control
- On-board 10/100 Ethernet
- 2 x RS485 Ports for System Expansion
- 12Vdc @ 250mA
- Large, removable Terminal Blocks for Ease of Installation
- Input monitoring for signals including REX, Door Contact, Fire, Breakglass Monitor and Tamper
- PCB Dimensions: 175mm(H) x 135mm(W) x 25mm(D)
- Boxed weight: 350g
- Operating temperature: 0 °C to 55 °C
- Operating humidity range: 5% to 95%

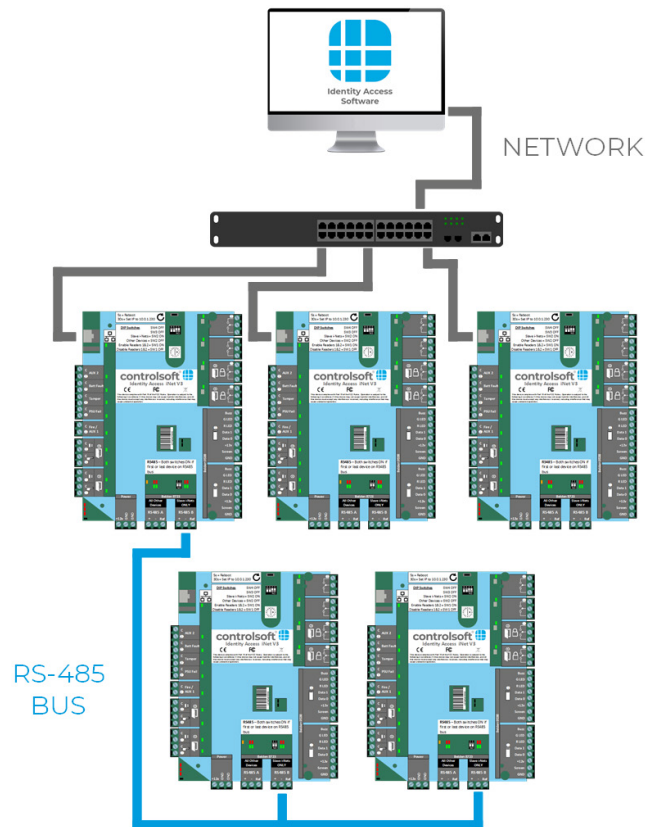
## Product Information

The i-Net PLUS access control system architecture allows Ethernet connectivity directly from a door location to the Controlsoft software, while still providing the security, functionality and modularity of Controlsoft's proven hardware platform. The i-Net PLUS is scalable for any access control application, from the most basic to the most sophisticated. In the event of communication loss, the i-Net allows local functionality to continue until the server connection is restored.

Two on-board reader ports support Wiegand readers for 2 independent doors, or 1 door with IN and OUT readers. Alternatively, OSDP or RS-485 readers can be added directly to the RS485 bus. The i-Net PLUS includes four output relays with voltage free changeover contacts and nine inputs that support normally open and normally closed circuits.

The IA-PCB also comes with a spares bag which contains the following items:

- 4 x Metal Oxide Varistor (MOV) which must be fitted to any lock with a coil
- 4 x Adhesive, nylon standoffs for installing without screws



Part Number: IA-PCB, Control Unit, PCB Only